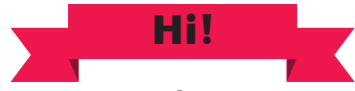


1

Assembly instructions in 10 simple steps.






&

Thank you for purchasing **Ruche** shelving unit.

It is a **smartly** designed piece, that will perform as a super **strong** shelving and storage unit.

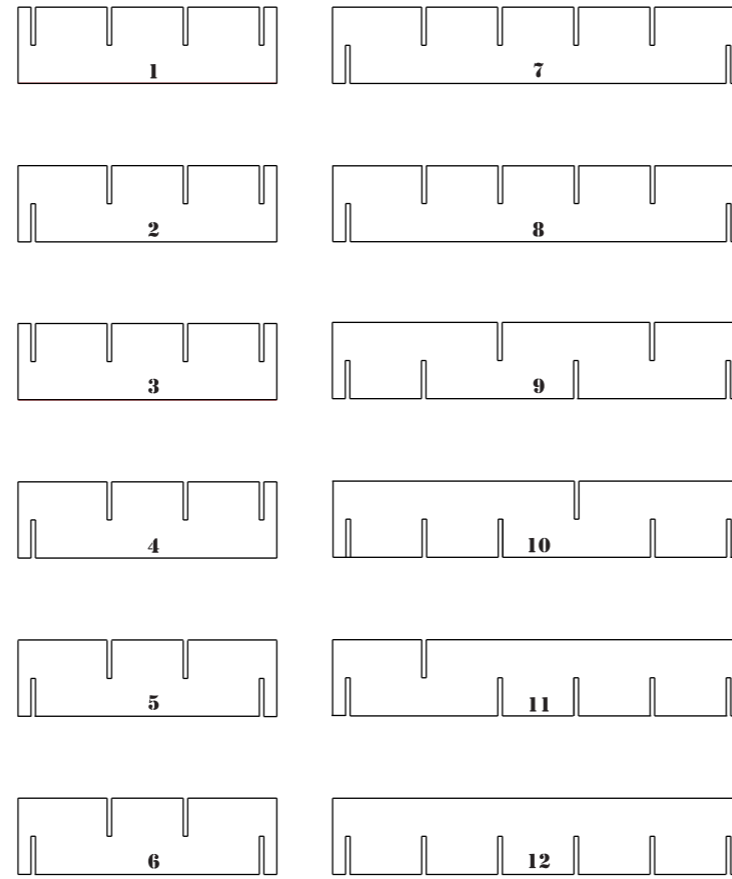
Follow these **simple** assembly instructions and in 5 minutes you will start enjoying your new Ruche.

We did everything to assure that the assembly process will be easy and quick. If you are having any difficulties we will be glad to assist you. Please contact us for any help, comments or thoughts.

-  www.ruche.com
-  help@ruche.com
-  Ruche shelving

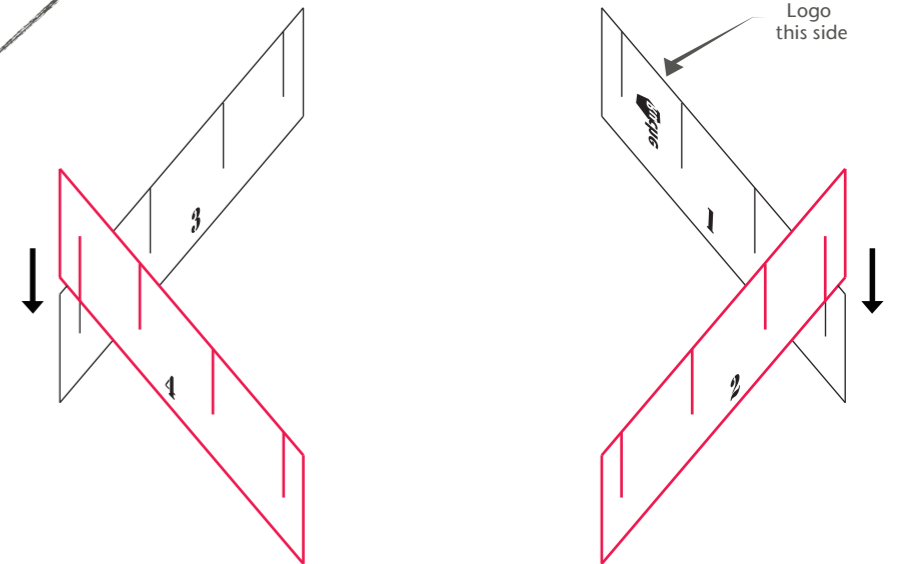
2

Get ready, spread the parts on the floor according to their numbers.



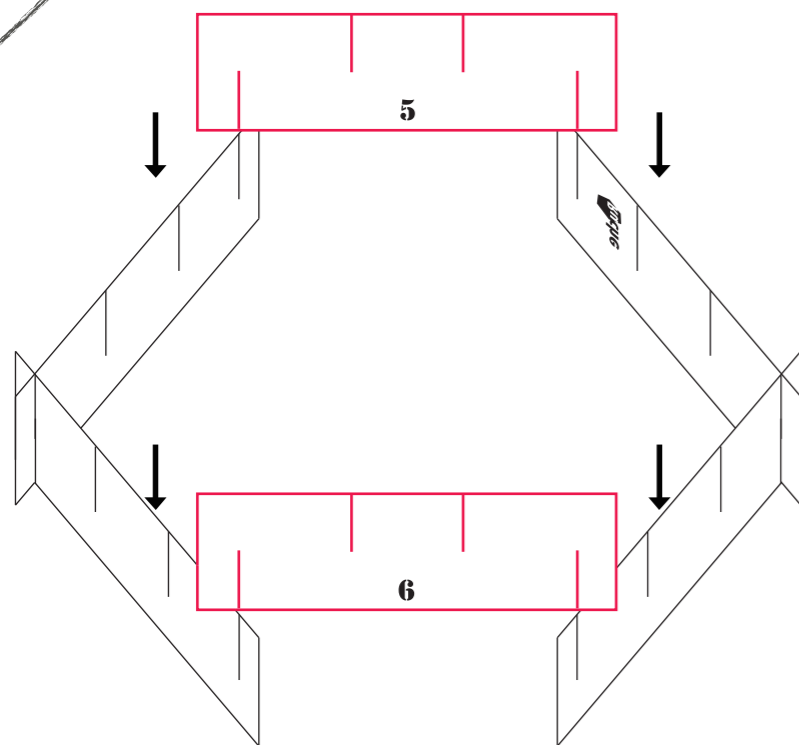
3

Ok, this is easy, start by connecting parts 1&2, 3&4.



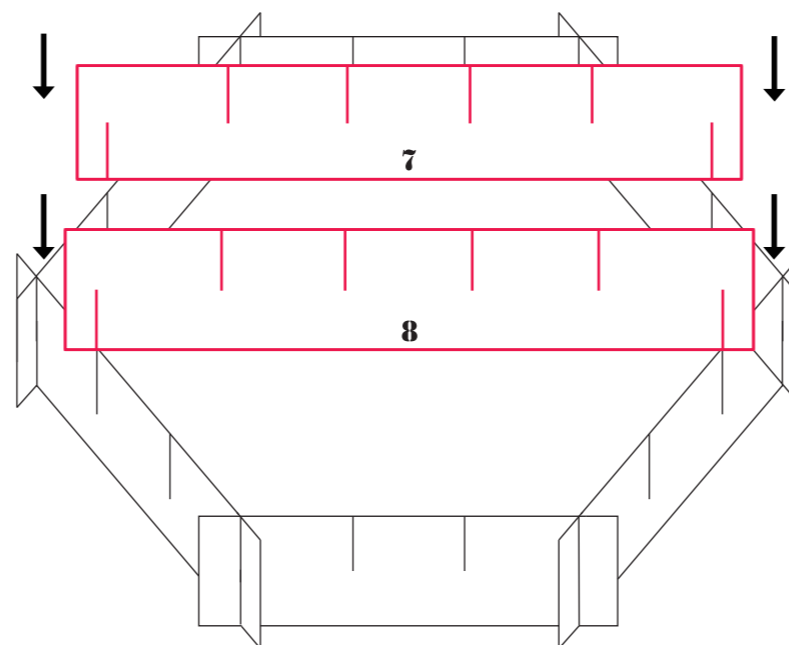
4

Complete the frame



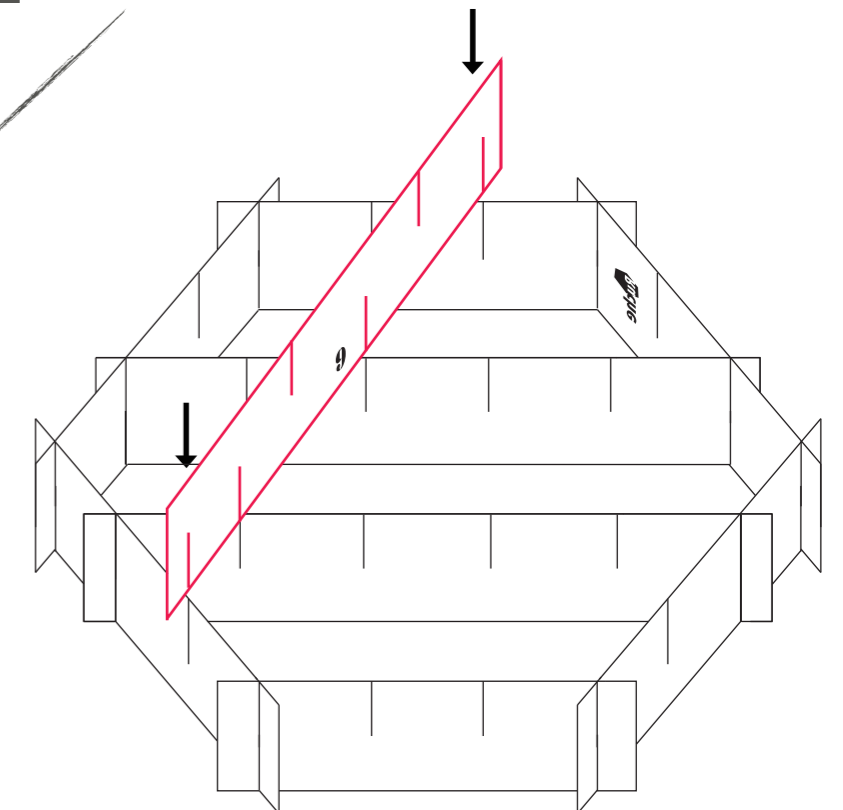
5

Slide in the center sheets



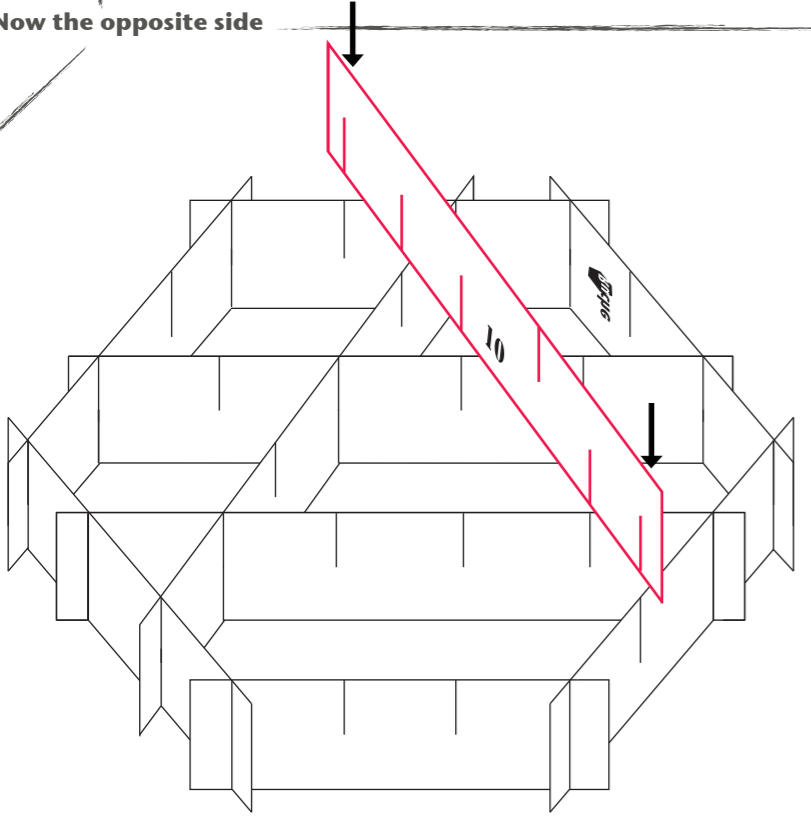
6

Concentrate, this is tricky, attention to which slot goes where



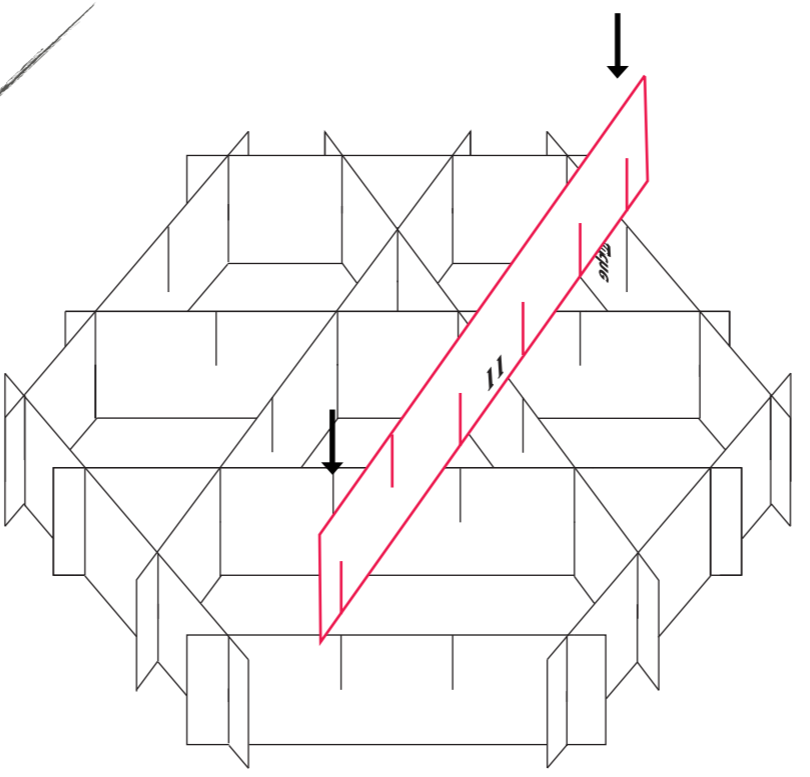
7

Now the opposite side



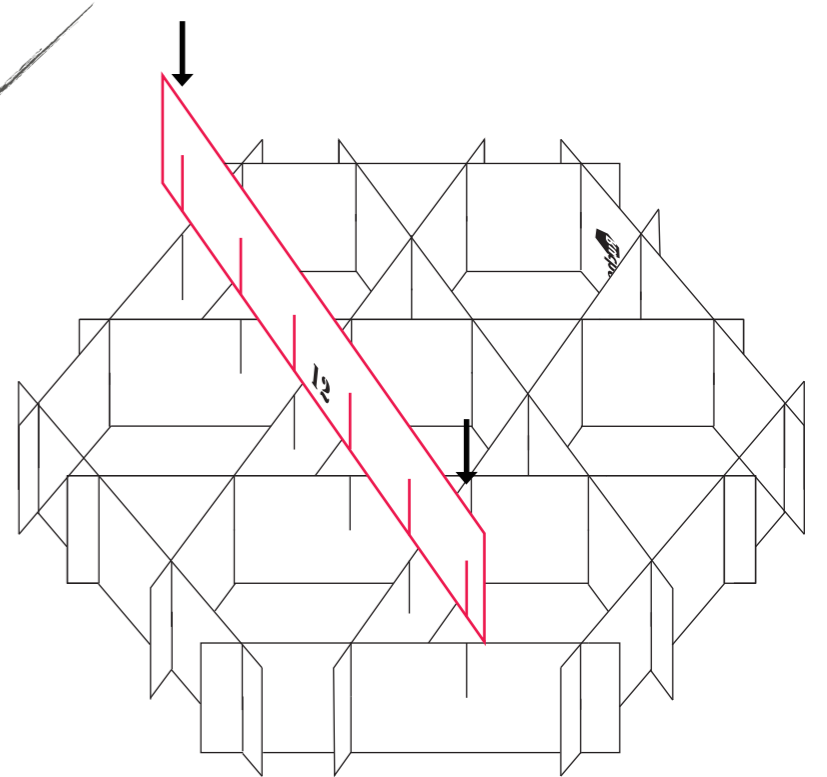
8

You're almost there



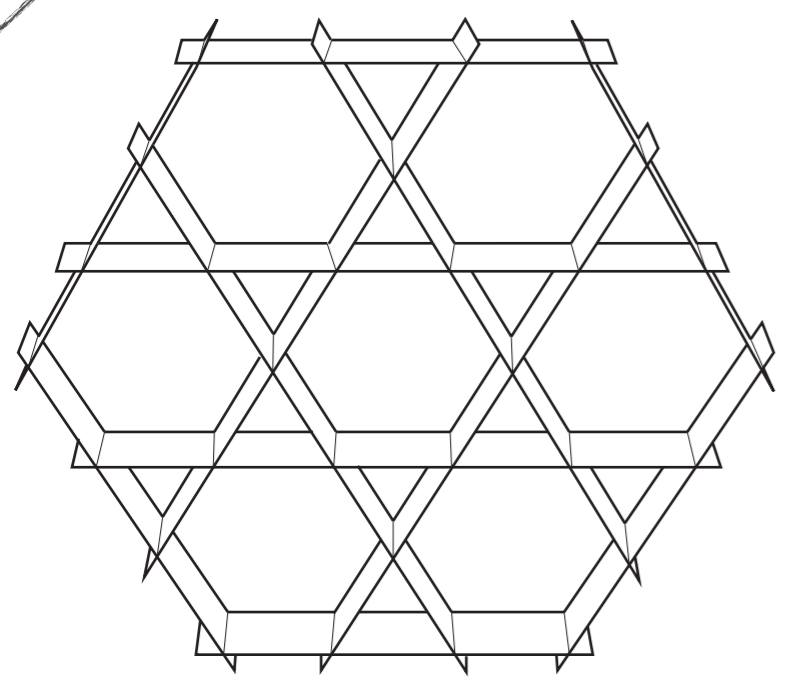
9

The finishing touch



10

Well done! Now your Ruche is ready to walk.



Enjoy!

Ruche

simple . strong . smart